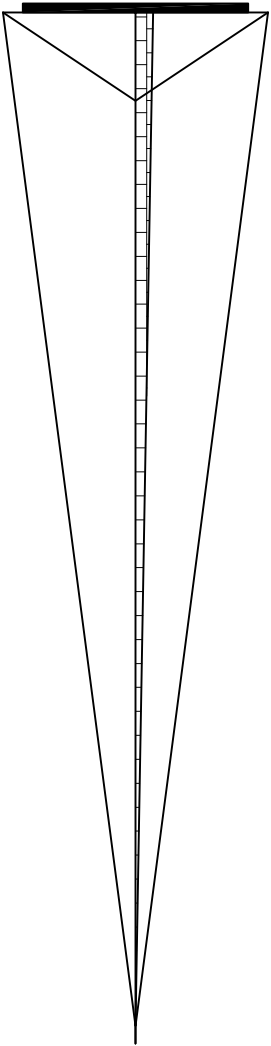
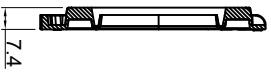
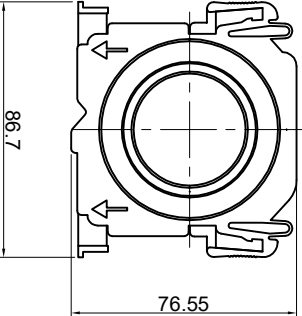
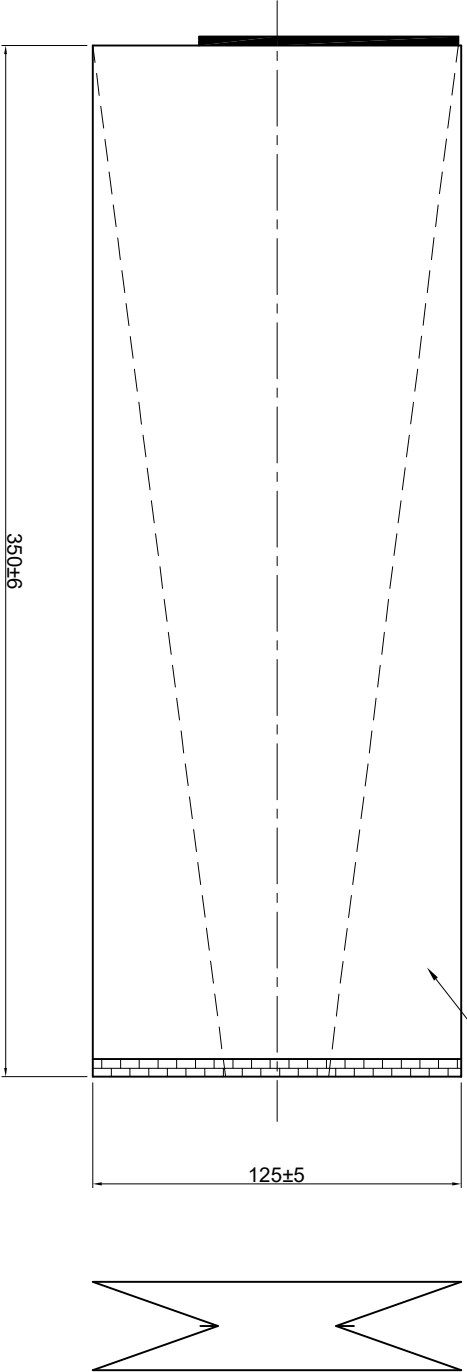


Inlet opening:  $\varnothing 90 \pm 2$



Quantity	Name	Part no.	Material	Weight
	Shanghai ZengXi Purifying Technology CO., LTD			
	DWN BY		PART NAME	
	CHK BY			
	APP BY			
DIMENSIONS			PART No.	REV
MM	SHEET		SHW112S01	1A